

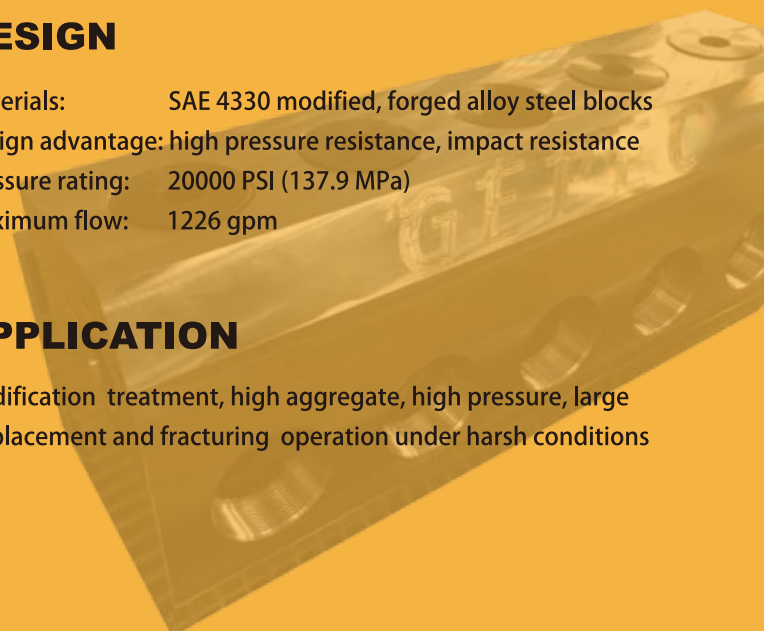
GET-2250

DESIGN

Materials: SAE 4330 modified, forged alloy steel blocks
 Design advantage: high pressure resistance, impact resistance
 Pressure rating: 20000 PSI (137.9 MPa)
 Maximum flow: 1226 gpm

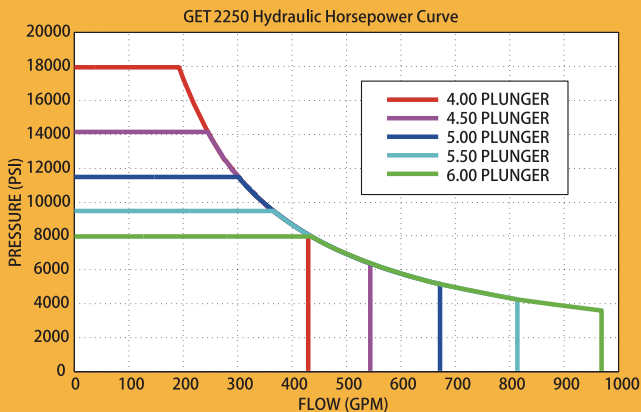
APPLICATION

Acidification treatment, high aggregate, high pressure, large displacement and fracturing operation under harsh conditions

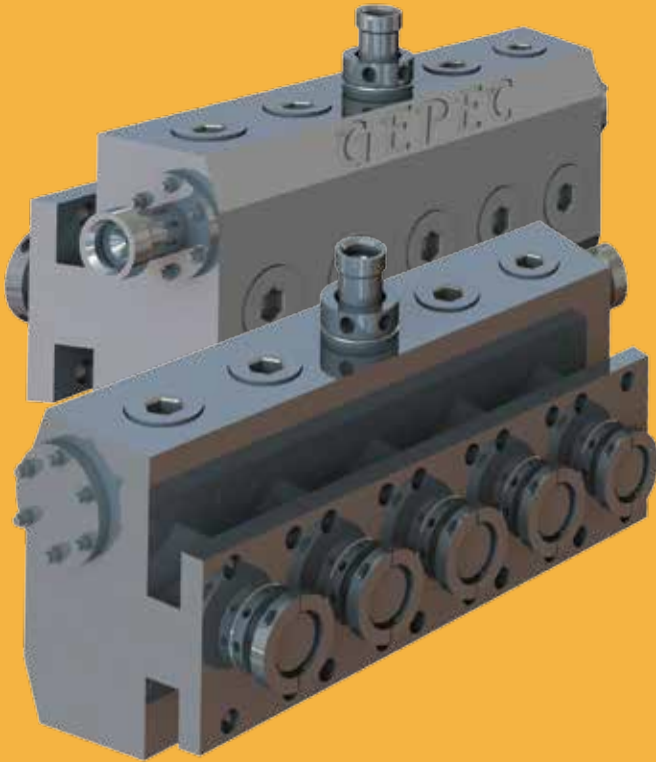


SPECIFICATIONS

- Rated maximum brake horsepower2,250 hp
- Maximum rod load 225,000 lbs
- Stroke length8"
- Gear ratio6.353:1
- Approx. Length.....77.75" (1,975mm)
- Approx. Width38.43" (976mm)
- Approx. Height45.51" (1,156mm)
- Approx. Weight dry..... 11,750 lbs



GEQ-2500



DESIGN

Design advantage: Forged SAE 4330V alloy steel, high pressure resistance, impact resistance to extend service life.

Pressure rating: 25000PSI (172.4 MPa).

Maximum flow: 1894 gpm.

Work strength: Keeping high performance operation 10 hrs every day, six days every week under harsh conditions.

APPLICATION

Acidification treatment, high aggregate, high pressure, large displacement and fracturing operation under harsh conditions.

SPECIFICATIONS

- Rated maximum brake horsepower 2,500 hp
- Maximum rod load..... 192,325 lbs
- Stroke length 8"
- Gear ratio..... 6.353:1
- Approx. Length..... 85" (2,160 mm)
- Approx. Width 74" (1,880 mm)
- Approx. Height..... 43" (1,092 mm)
- Approx. Weight dry..... 15,000 lbs

